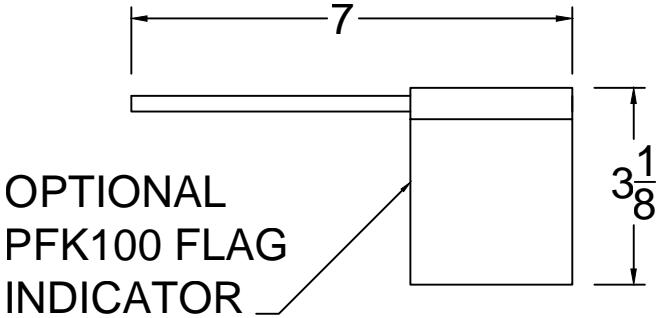
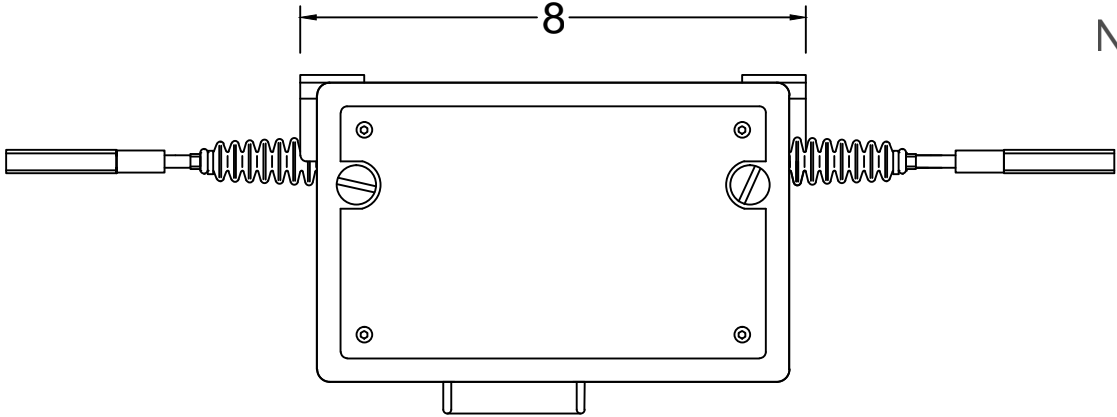
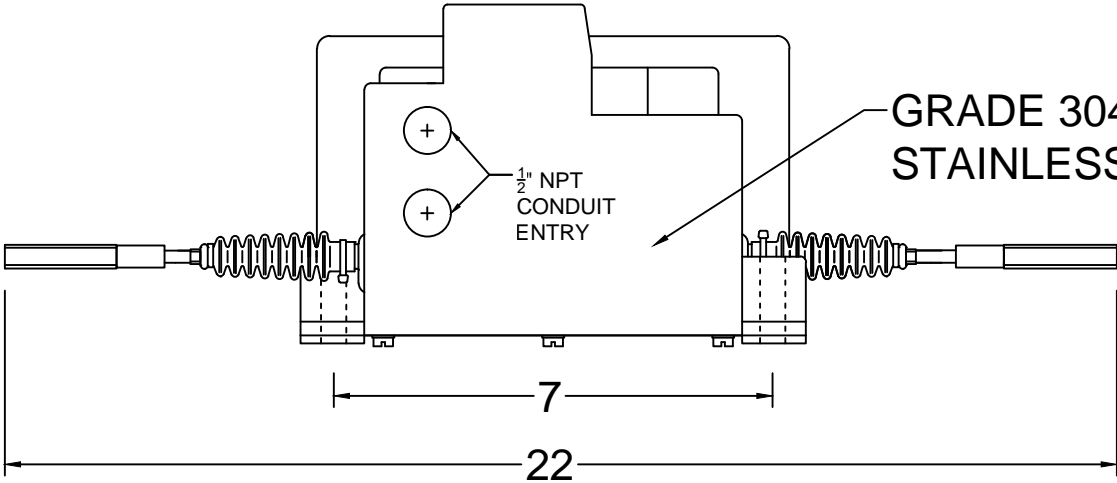
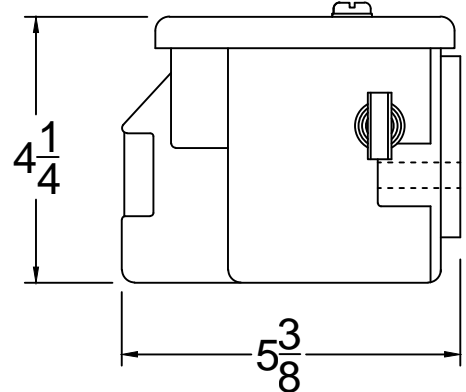
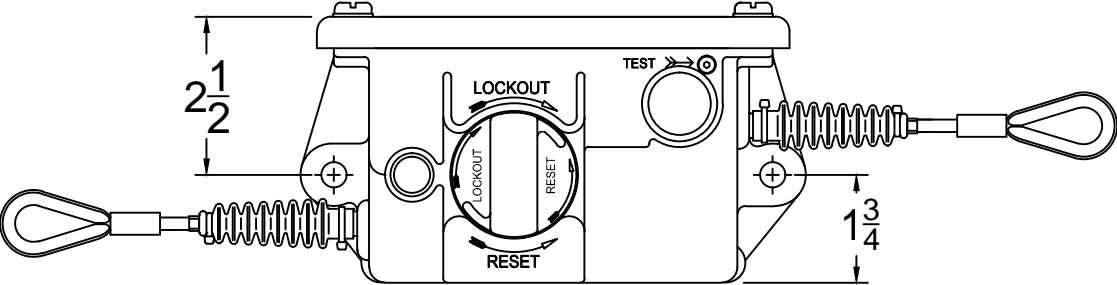


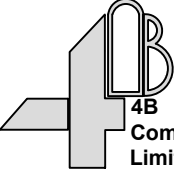
NOTE: ALL DIMENSIONS IN INCHES



NOTE: MOUNTING HOLE DIAMETER 3/8



GRADE 304 STAINLESS STEEL

 4B Components Limited www.go4b.com/usa 625 Erie Avenue - Morton, IL 61550 USA Tel: 309-698-5611 Fax: 309-698-5615	CUSTOMER:		
	N/A		
DESCRIPTION:			SCALE:
PST1000C SAFETY PULLSWITCH			NTS
SO #	PO #	REV:	
N/A	N/A	0	
DRAWN: CSM	CHECKED:	DRAWING #	
DATE: 09/16/2014	DATE:	PST1000C	

CHANGE NOTE	REV	DATE	DRAWN	CHECK	DESCRIPTION